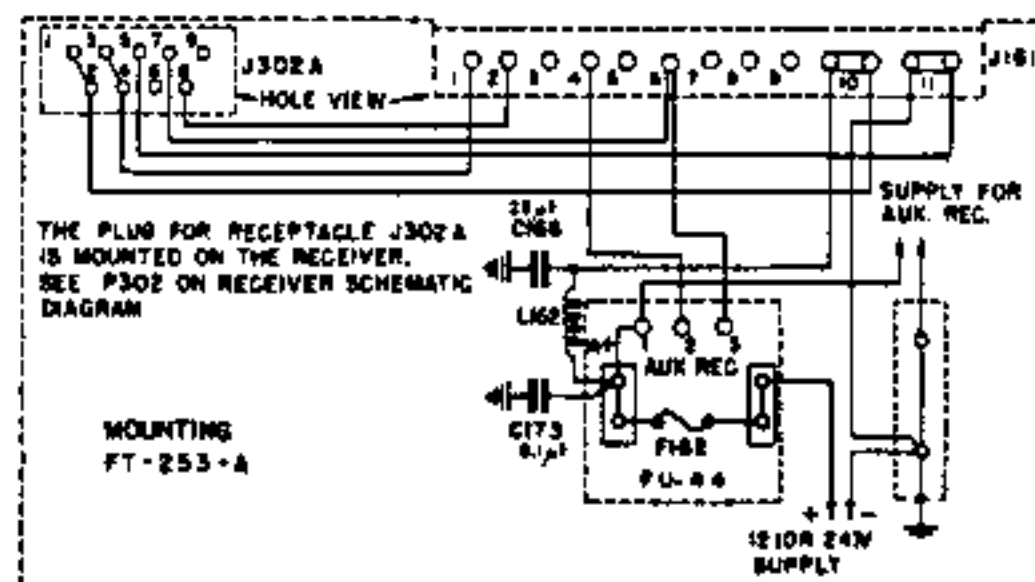
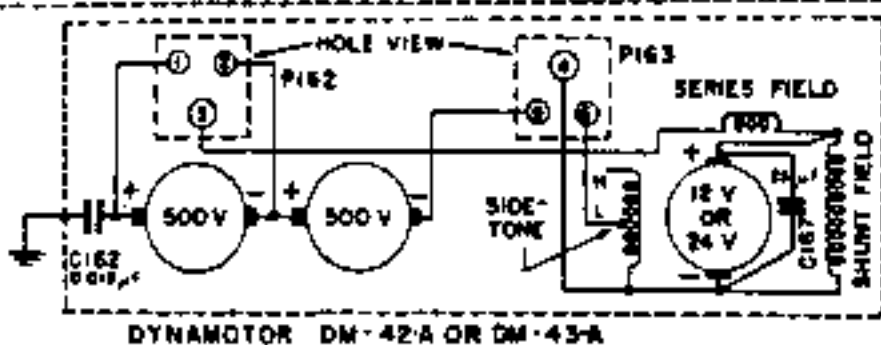
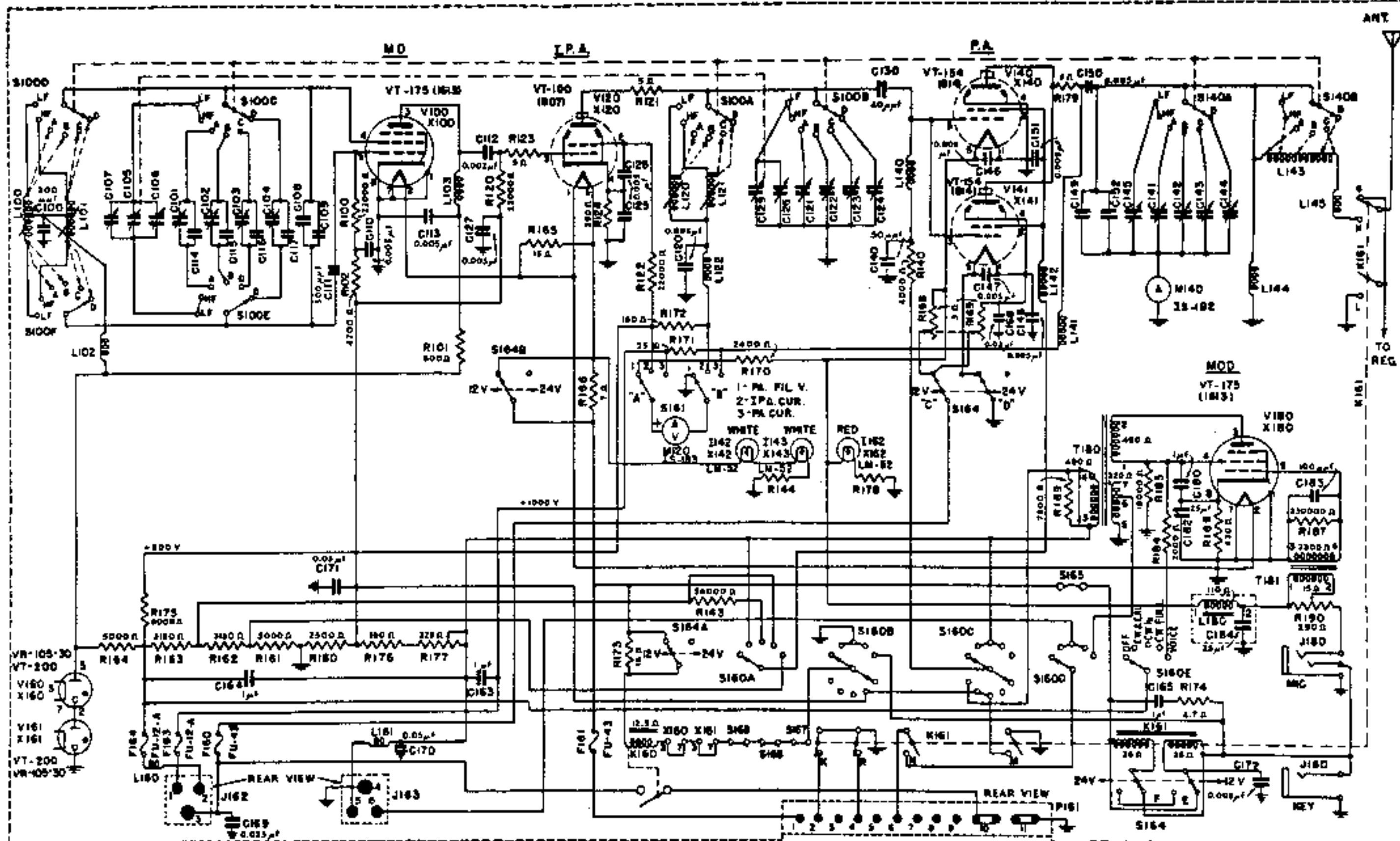


SCHEMATIC

PARTS LEGEND

CAPACITORS		RESISTORS	
C100	0.0002 μ f 1000v	R124	390 Ω 2w
C108	22 μ f 1000v	R140	4000 Ω 4w
C109	70 μ f 250v	R148	56000 Ω 2w
C110	0.005 μ f 600v	R144	15 Ω 1/4w
C111	0.0005 μ f 5000v	R160	2500 Ω 25w
C112	0.002 μ f 1000v	R161	5000 Ω 25w
C113	0.005 μ f 1000v	R162	3150 Ω 25w
C114	25 μ f 500v	R163	3150 Ω 25w
C115	25 μ f 500v	R164	5000 Ω 25w
C116	25 μ f 500v	R165	15 Ω 8w
C117	25 μ f 500v	R166	7 Ω 20w
C120	0.005 μ f 1000v	R168	1.3 Ω 25w
C125	0.005 μ f 1000v	R169	1.3 Ω 25w
C127	0.005 μ f 1000v	R170	2400 Ω 1w
C128	0.005 μ f 1000v	R171	25 Ω 8w
C130	40 μ f 1000v	R172	160 Ω 1w
C140	0.0005 μ f 2500v	R173	16 Ω 20w
C146	0.005 μ f 600v	R174	4.7 Ω 1w
C147	0.005 μ f 600v	R175	6000 Ω 20w
C148	0.005 μ f 1000v	R176	160 Ω 35w
C149	45 μ f 1000v	R177	225 Ω 35w
C150	0.005 μ f 5000v	R178	39 Ω 2w
C151	0.005 μ f 5000v	R179	5 Ω 5w
C152	45 μ f 1000v	R184	2000 Ω 20w
C162	0.015 μ f 5000v	R185	18000 Ω 12w
C163	1.0 μ f 2400v	R186	430 Ω 2w
C164	1.0 μ f 2400v	R187	33000 Ω 1/2w
C165	1.0 μ f 600v	R189	7500 Ω 2w
C166	25 μ f 50v	R190	200 Ω 4w
C167	25 μ f 50v	FUSES	
C168	0.02 μ f 1000v	FU-43	10Amp 25v
C169	0.025 μ f 800v	FU-44	70Amp 250v
C170	0.05 μ f 800v	FU-12-A	0.5Amp 1000v
C171	0.05 μ f 800v	RELAYS	
C172	0.005 μ f 600v	K160	Dynamotor
C173	0.1 μ f 1200v	K161	Keying
C180	1.0 μ f 1000v	SWITCHES	
C182	25 μ f 50v	S100, S140	Band change
C183	0.0001 μ f 1000v	S160	Power and emission
C184	25 μ f 50v	S161	Metering
		S164	12/24v link-board
		S165	Band switch interlock
		S166	IPA cover plate interlock
		S167	PA cover plate interlock
		S168	Fuse cover plate interlock



SAFETY NOTICE

Operation of this equipment involves the use of high voltages which are dangerous to life. Be very careful when working with this equipment.

